

BeneVision N12/N15/N17 PATIENT MONITORS

Physical Specifications

Physical BeneVision N12

Dimension: 11.4" (H) x 12.3" (W) x 6.3" (D)
29.0 cm (H) x 31.3 cm (W) x 16.1 cm (D)

Weight: 9.0 lb (4.1 kg) standard parameters, excluding modules, recorder, battery, and accessories

Physical BeneVision N15

Dimension: 12.3" (H) x 15.6" (W) x 7.6" (D)
31.3 cm (H) x 39.6 cm (W) x 19.3 cm (D)

Weight: 11.9 lb (5.4 kg) standard parameters, excluding modules, recorder, battery, and accessories

Physical BeneVision N17

Dimension: 14.0" (H) x 18.3" (W) x 8.3" (D)
35.5 cm (H) x 46.6 cm (W) x 2.1 cm (D)

Weight: 16.1 lb (7.3 kg) standard parameters, excluding modules, recorder, battery, and accessories

Electrical Ratings

Type of Protection: Class I

Degree of Protection: MPM/IBP/C.O./NMT/EEG module: CF
ScvO₂/CO₂/AG/rSO₂ module: BF

Protection Against Ingress of Fluids: IPX1

Power Requirements

AC Voltage: 100 to 240 VAC (±10%)

Current: 2.0 to 0.9 A

Frequency: 50 Hz/60 Hz (±3 Hz)

Fuse: Time-lag 250 VT3.15 A

Environmental Conditions

Operating Temperature

0°C to 40°C Main unit, MPM module, individual module of SpO₂, TEMP, IBP, CO, CCO/SvO₂, NMT, EEG, and BeneLink, recorder

0°C to 40°C Microstream CO₂ module

5°C to 40°C Sidestream CO₂ module

10°C to 40°C AG module, ScvO₂ module

16°C to 32°C rSO₂ module

Storage Temperature

-20°C to 60°C Main unit, MPM module, individual module of SpO₂, TEMP, IBP, CO, CCO/SvO₂, ScvO₂, NMT, AG, Microstream/Sidestream CO₂, EEG, and BeneLink, recorder

-20°C to 70°C rSO₂ module

Operating Humidity:

15 to 95% (non condensing): Main unit, MPM module, individual module of SpO₂, TEMP, IBP, CO, CCO/SvO₂, NMT, AG, Microstream/Sidestream CO₂, EEG, and BeneLink, recorder

15 to 75% (non condensing): ScvO₂ module

20 to 80% (non condensing): rSO₂ module

Storage Humidity: 10 to 95% (non condensing): Main unit, MPM module, individual module of SpO₂, TEMP, IBP, CO, CCO/SvO₂, ScvO₂, NMT, AG, Microstream/Sidestream CO₂, EEG, and BeneLink, recorder

10 to 90% (non condensing): ScvO₂ module

Operating Atmospheric Pressure:

427.5 to 805.5 mmHg: Main unit, MPM module, individual module of SpO₂, TEMP, IBP, CO, CCO/SvO₂, ScvO₂, NMT, EEG, and BeneLink, recorder

430 to 790 mmHg: Microstream/Sidestream CO₂ module

525 to 805.5 mmHg: AG module

522 to 805.5 mmHg: rSO₂ module



Operating Atmospheric Pressure:

120 to 805.5 mmHg: Main unit, MPM module, individual module of SpO₂, TEMP, IBP, CO, CCO/SvO₂, ScvO₂, NMT, EEG, and BeneLink, recorder

430 to 790 mmHg: Microstream/Sidestream CO₂ module

525 to 805.5 mmHg: AG module

435.7 to 822 mmHg: rSO₂ module

Interfacing

AC Power Connector: 1

RJ45 Network Connector, 100 Base-TX, IEEE 802.3

N17: 1

N15/N12: 1

USB 2.0 Connector:

N17: 4

N15/N12: 4

Nonstandard USB SMR Connector:

N17/N15: 1 to connect SMR, N1/T1 docking station

N12: 1 to connect N1/T1 docking station

Standard DVI-D Video Interface Connector:

N17: 2

N15/N12: 1

BNC Connector: 1

Equipotential Grounding Terminal: 1

Multifunction Connector for Defib Sync and Analog Output: 1 on multi-parameter module

Module Slot:

N17/N15: 6 slots

N12: 4 slots

Barcode Scanner: Support 1D and 2D barcode

Keyboard and Mouse: Support wire and wireless type

Remote Control: Support

Network Printer: Support

Battery

Type: Rechargeable lithium-ion

Number of Battery: 1

Capacity: 4500 mAh, 11.1 VDC

Run Time: When powered by a new fully-charged battery at 25°C ±5°C with 5-lead ECG, SpO₂, and auto NIBP measurements every 15 min, and screen brightness set to 1

N17/N15: >2 hr

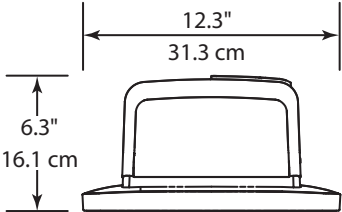
N12: >4 hr

Recharge Time: 4.5 hr to 90% when the monitor is off

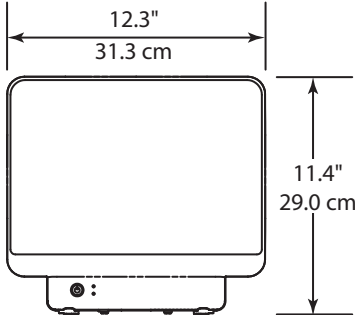
BeneVision N12/N15/N17 PATIENT MONITORS

Physical Specifications

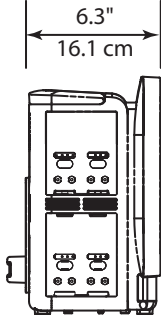
N12 Top



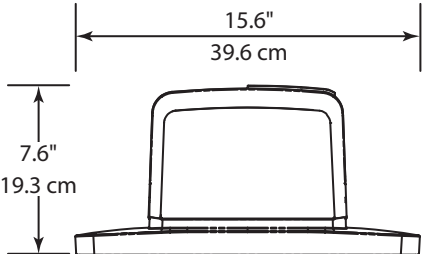
N12 Front



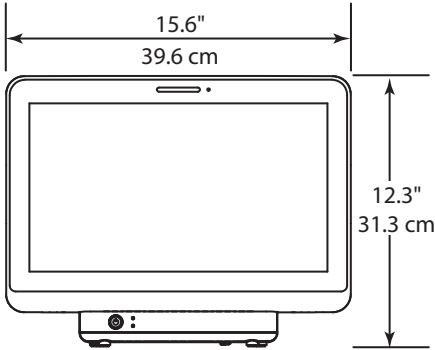
N12 Side



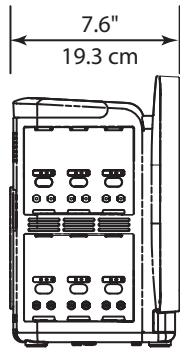
N15 Top



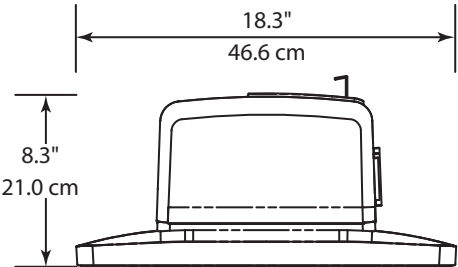
N15 Front



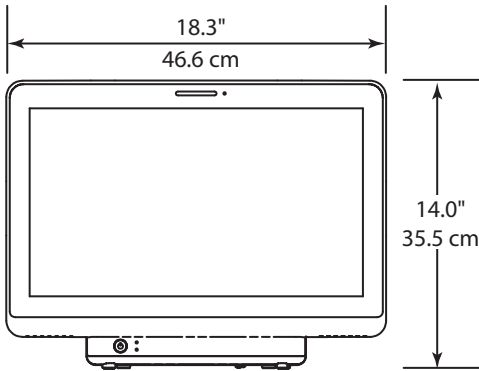
N15 Side



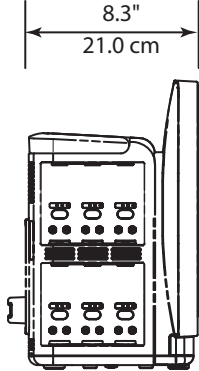
N17 Top



N17 Front



N17 Side



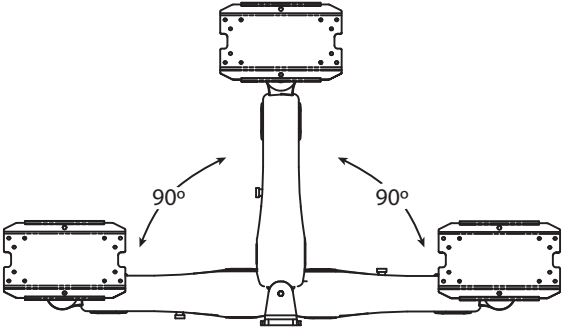
BeneVision N12/N15/N17 PATIENT MONITORS

Physical Specifications

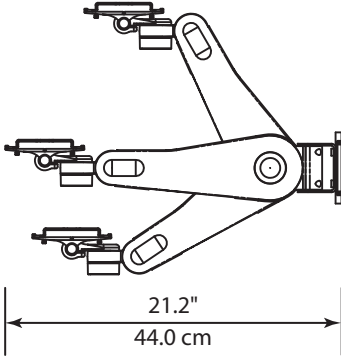
Mounting Solutions

Variable Height Mount (VHM)
Moment Load: 40 lbs (18.1 kg)

Lateral Range of Motion

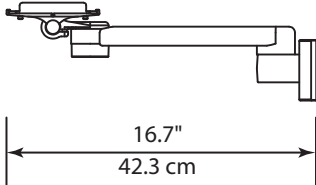
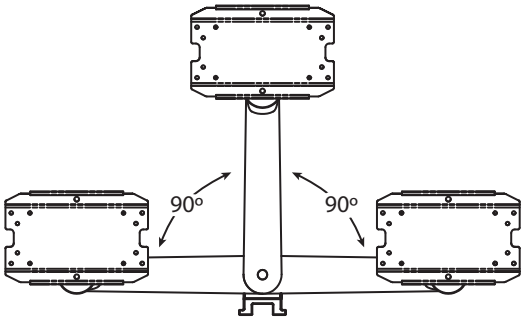


Vertical Range of Motion
+60° to -34°



Pivot Arm Wall Mount
Moment Load: 60 lbs (27.2 kg)

Lateral Range of Motion

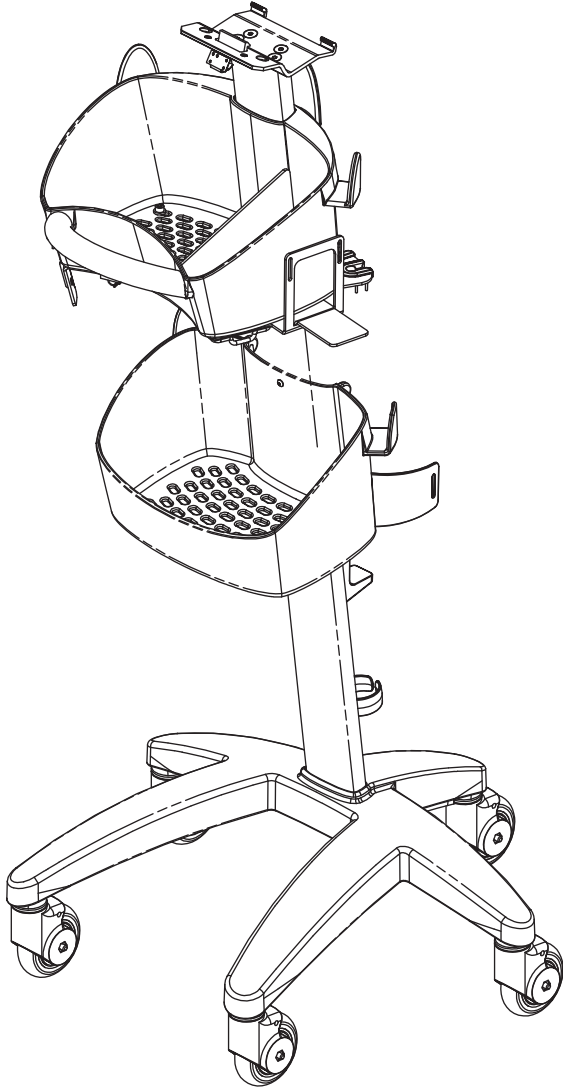


BeneVision N12/N15/N17 PATIENT MONITORS

Physical Specifications

N12 Rolling Stand

Dimension: 42.3" (H) x 20.4" (W) x 23.5" (D)
107.4 cm (H) x 51.7 cm (W) x 59.6 cm (D)
Weight: 35 lb (15.9 kg)



N15/N17 Rolling Stand

Dimension: 43" (H) x 24.3" (W) x 25.7" (D)
109.3 cm (H) x 61.7 cm (W) x 65.2 cm (D)
Weight: 35 lb (15.9 kg)

