

BeneVision N19/N22 PATIENT MONITORS

Physical Specifications

Physical BeneVision N19

Main Unit and Primary Display Installed Together with Handle

Dimension (horizontal):	16.6" (H) x 20.0" (W) x 4.5" (D) 42.3 cm (H) x 50.9 cm (W) x 11.5 cm (D)
Dimension (vertical):	23.0" (H) x 13.7" (W) x 4.5" (D) 58.4 cm (H) x 34.8 cm (W) x 11.5 cm (D)
Weight:	22.7 lb (10.3 kg) including battery, iView module, WiFi module, display with handle and navigation knob

Display, 19"

Dimension:	13.7" (H) x 20.0" (W) x 1.9" (D) 34.8 cm (H) x 50.9 cm (W) x 4.8 cm (D)
Weight:	13.7 lb (6.2 kg) excluding handle

Main Unit

Dimension:	10.5" (H) x 10.5" (W) x 2.7" (D) 26.8 cm (H) x 26.8 cm (W) x 6.8 cm (D)
Weight:	7.5 lb (3.4 kg) including battery

Physical BeneVision N22

Main Unit and Primary Display Installed Together

Dimension (horizontal):	18.0" (H) x 22.3" (W) x 4.5" (D) 45.8 cm (H) x 56.6 cm (W) x 11.5 cm (D)
Dimension (vertical):	25.2" (H) x 15.0" (W) x 4.5" (D) 64.1 cm (H) x 38.3 cm (W) x 11.5 cm (D)
Weight:	25.3 lb (11.5 kg) including battery, iView module, WiFi module, display with handle and navigation knob

Display, 22"

Dimension:	15.1" (H) x 22.3" (W) x 1.9" (D) 38.3 cm (H) x 56.6 cm (W) x 4.8 cm (D)
Weight:	16.3 lb (7.4 kg) excluding handle

Main Unit

Dimension:	10.5" (H) x 10.5" (W) x 2.7" (D) 26.8 cm (H) x 26.8 cm (W) x 6.8 cm (D)
Weight:	7.5 lb (3.4 kg) including battery

Electrical Ratings

Type of Protection:	Class I
Degree of Protection:	MPM/IBP/C.O./NMT/EEG module: CF ScvO ₂ /CO ₂ /AG/rSO ₂ module: BF

Protection Against Ingress of Fluids:	IPX1
---------------------------------------	------

Power Requirements

AC Voltage:	100 to 240 VAC (±10 %)
Current:	2.8 to 1.6 A
Frequency:	50 Hz/60 Hz (±3 Hz)
Fuse:	Time-lag 250 V T4A

Environmental Conditions

Operating Temperature

0°C to 40°C	Main unit, MPM module, individual module of SpO ₂ , TEMP, IBP, CO, CCO/SvO ₂ , NMT, EEG, and BeneLink, recorder
0°C to 40°C	Microstream CO ₂ module
5°C to 40°C	Sidestream CO ₂ module
10°C to 40°C	AG module, ScvO ₂ module
16°C to 32°C	rSO ₂ module

Storage Temperature

-20°C to 60°C	Main unit, MPM module, individual module of SpO ₂ , TEMP, IBP, CO, CCO/SvO ₂ , ScvO ₂ , NMT, AG, Microstream/Sidestream CO ₂ , EEG, and BeneLink, recorder
-20°C to 70°C	rSO ₂ module



Operating Humidity

15 to 95 % (non condensing):	Main unit, MPM module, individual module of SpO ₂ , TEMP, IBP, CO, CCO/SvO ₂ , NMT, AG, Microstream/Sidestream CO ₂ , EEG, and BeneLink, recorder
---------------------------------	--

15 to 75 % (non condensing):	ScvO ₂ module
20 to 80 % (non condensing):	rSO ₂ module

Storage Humidity

10 to 95 % (non condensing):	Main unit, MPM module, individual module of SpO ₂ , TEMP, IBP, CO, CCO/SvO ₂ , ScvO ₂ , NMT, AG, Microstream/Sidestream CO ₂ , EEG, and BeneLink, recorder
---------------------------------	--

10 to 90 % (non condensing):	ScvO ₂ module
---------------------------------	--------------------------

Operating Atmospheric Pressure

427.5 to 805.5 mmHg	Main unit, MPM module, individual module of SpO ₂ , TEMP, IBP, CO, CCO/SvO ₂ , ScvO ₂ , NMT, EEG, and BeneLink, recorder
430 to 790 mmHg	Microstream/Sidestream CO ₂ module
525 to 805.5 mmHg	AG module, and rSO ₂ module

Interfacing

Main Unit:	1 AC Power Connector 2 RJ45 Network Connector, 100 Base-TX, IEEE 802.3 6 USB 2.0 Connector 3 Nonstandard USB SMR Connector 1 VP Connector, VP1 for the secondary display 1 BNC Connector 1 Equipotential Grounding Terminal
Modular iView:	1 VP Connector, VP2 4 USB 2.0 Connector 1 RJ45 Network Connector, 100 Base-TX, IEEE 802.3

Multifunction Connector for Defib Sync and Analog Output	1 on multi-parameter module
--	-----------------------------

Barcode Scanner:	Support 1D and 2D barcode
Keyboard and Mouse:	Support wire and wireless type
Remote Control:	Support
Network Printer:	Support

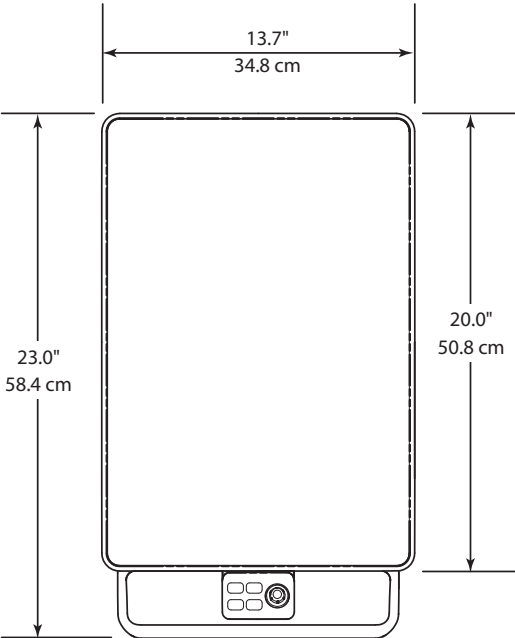
Battery

Type:	Rechargeable lithium-ion
Number of Battery:	1
Capacity:	5600 mAh, 11.3 VDC
Run Time:	>1 hr When powered by a new fully-charged battery at 25 °C±5 °C with 12-lead ECG, Resp, SpO ₂ , 4-ch IBP, 2-ch Temp, CO ₂ , C.O. and NIBP measurements every 15 min, WiFi enabled, and screen brightness set to default 5
Recharge Time:	5 hr to 90 % when the monitor is off

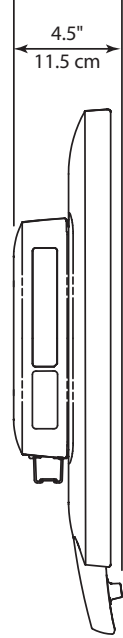
BeneVision N19/N22 PATIENT MONITORS

Physical Specifications

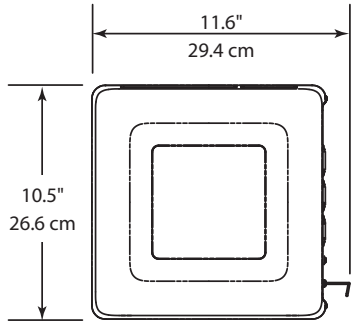
N19 Display Front (vertical)



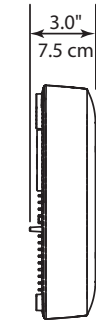
N19 Display Side (vertical)



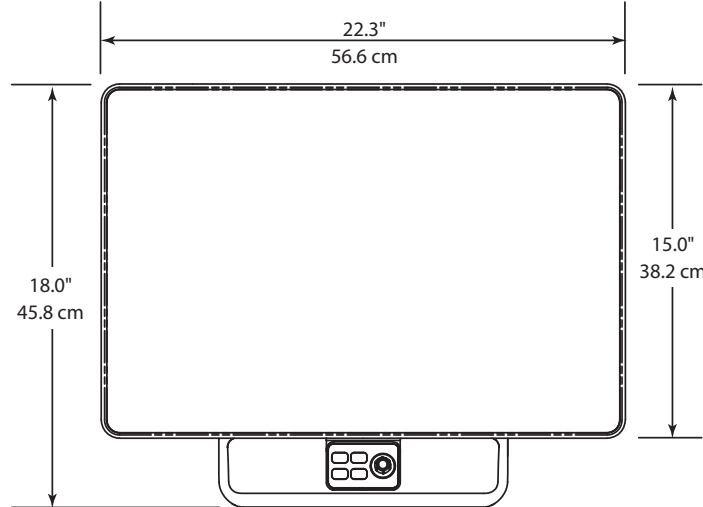
Main Unit Front



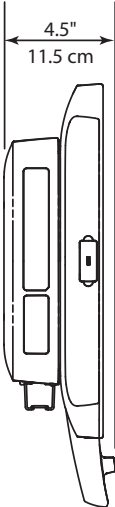
Main Unit Side



N22 Display Front (horizontal)



N22 Display Side (horizontal)



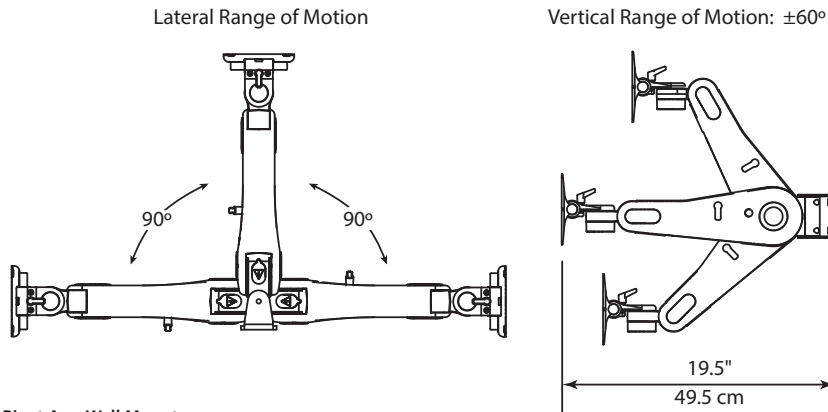
BeneVision N19/N22 PATIENT MONITORS

Physical Specifications

Mounting Solutions

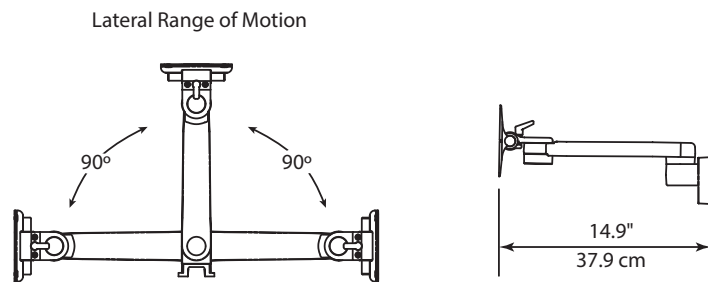
Variable Height Mount (VHM)

Moment Load: 40 lbs (18.1 kg)



Pivot Arm Wall Mount

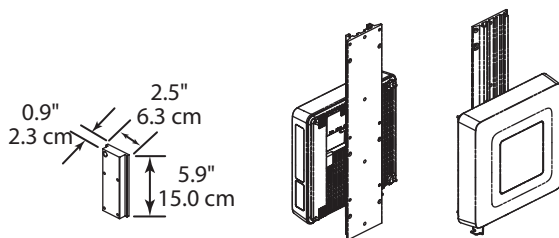
Moment Load: 60 lbs (27.2 kg)



Main Unit

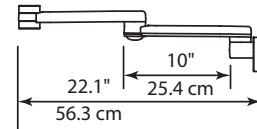
Mounting Block

Moment Load: 1.1 lbs (0.5 kg)



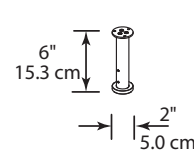
SMR Wall Mount

Moment Load: 30 lbs (13.6 kg)



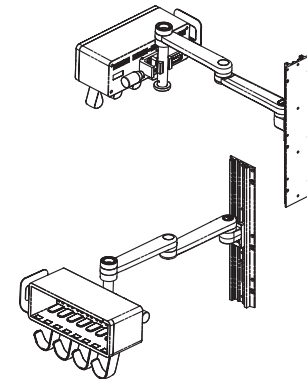
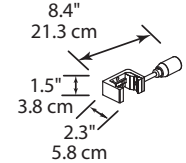
Down Post

Weight: 11 lbs (4.9 kg)

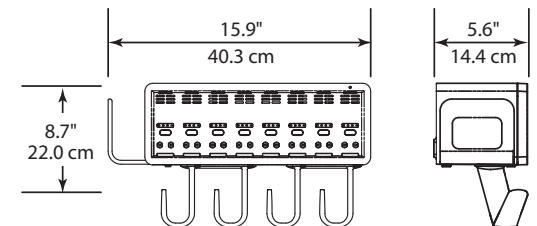


Lock Hook

Weight: 0.8 lbs (0.35 kg)



SMR Side



SMR Top

