

# BeneVision N1 MONITOR / MODULE

## Physical Specifications

### N1 Physical

Dimension: 4.0" (H) x 5.9" (W) x 3.2" (D)  
10.3 cm (H) x 15.0 cm (W) x 8.1 cm (D)

Weight: 2.0 lb (0.95 kg) without integrated CO<sub>2</sub>  
2.9 lb (1.3 kg) with integrated CO<sub>2</sub>

### Interfacing

#### Main Unit

DC Power Input: 1

Defib Sync and Analog Out: 1

Multi-pin Connector: 1

#### Dock

AC Power Connector 1

RJ45 Network Connector, 100 Base-TX, IEEE 802.3 1

VGA Connector 1

USB 2.0 Connector 2

Host Monitor Connector 1

Equipotential Terminal 1

#### Modular Rack Slot

N1: 2 slots

Extended Module: 1 slot

Barcode Scanner: Support 1D and 2D barcode via dock

Keyboard and Mouse: Support wire and wireless type via dock

Network Printer: Support

### Power Requirements

#### N1 Main Unit

Input: 12 VDC (±10%), 2 A, 1.0 A to 0.6 A

#### AC Adapter

Input: 100 to 240 VAC (-15%, +10%), 50/60 Hz

Output: 12 VDC (±10%), 2.5 A

#### Docking Station

Input: 100 to 240 VAC (±10%), 50/60 Hz

Input Current: 0.65 A to 0.35 A

### Battery

Type: Rechargeable lithium-ion

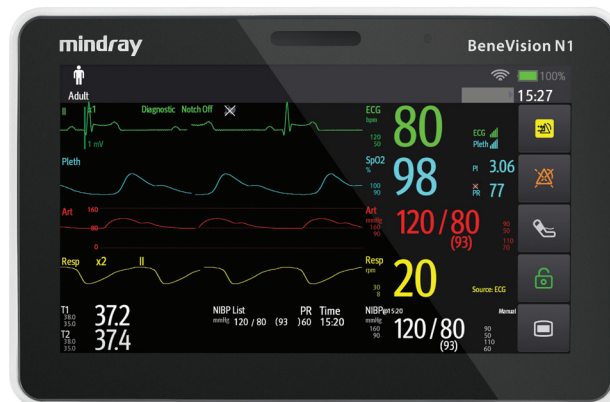
Capacity: 2500 mAh, 7.56 VDC

Number of Battery: 2 without internal CO<sub>2</sub>  
1 with internal CO<sub>2</sub>

Run Time: When powered by two new fully-charged batteries at 25°C±5°C with 5-lead ECG, SpO<sub>2</sub>, and auto NIBP measurements every 15 min, and factory default screen brightness, Wi-Fi disabled.  
>8 hr without internal CO<sub>2</sub>

When powered by one new fully-charged battery at 25°C±5°C with 5-lead ECG, SpO<sub>2</sub>, IBP, CO<sub>2</sub> sampling, and auto NIBP measurements every 15 min, and factory default screen brightness, Wi-Fi enabled.  
>3 hr with internal CO<sub>2</sub>

Recharge Time: When the monitor is off:  
6 hours to 90% Without internal CO<sub>2</sub> module  
3 hours to 90% With internal CO<sub>2</sub> module



### Environmental Conditions

#### Operating Temperature

0°C to 40°C

Main unit, Docking station, Modular rack, Transport dock, AC adapter and external Microstream CO<sub>2</sub> module

5°C to 40°C

External Sidestream CO<sub>2</sub> module

#### Storage Temperature

-30°C to 70°C

Main unit, Transport dock, AC adapter

-20°C to 60°C

Docking station, Modular rack, Microstream/Sidestream CO<sub>2</sub>

#### Operating Humidity

5 to 95% (non condensing)

Main unit, Transport dock, AC adapter

15 to 95% (non condensing)

Docking station, Modular rack, Microstream/Sidestream CO<sub>2</sub>

#### Storage Humidity

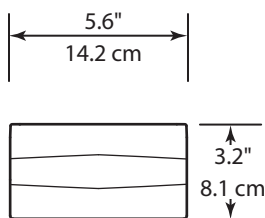
5 to 95% (non condensing)

Main unit, Transport dock, AC adapter

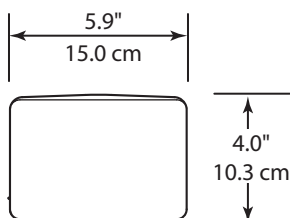
10 to 95% (non condensing)

Docking station, Modular rack, Microstream/Sidestream CO<sub>2</sub>

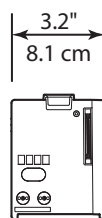
### N1 Top



### N1 Front



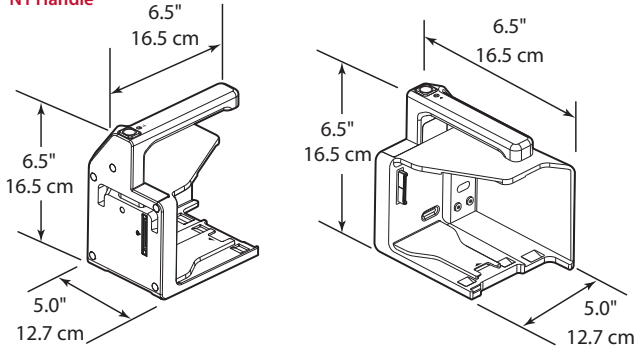
### N1 Side



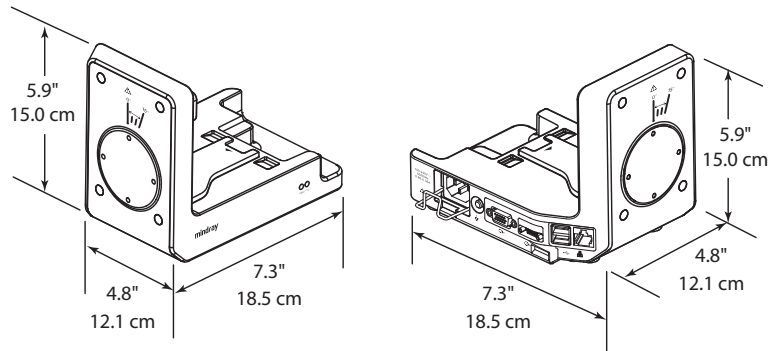
# BeneVision N1 MONITOR / MODULE

## Physical Specifications

### N1 Handle

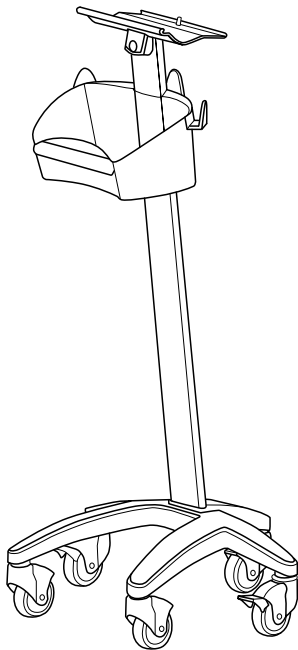


### N1 Docking Station



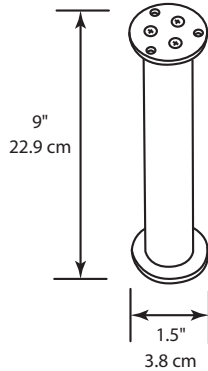
### Rolling Stand

Dimension: 47" (H) x 27" (W) x 27" (D)  
 119.4 cm (H) x 68.6 cm (W) x 68.6 cm (D)  
 Moment Load: 35 lbs (15.9 kg)  
 Max Head Tilt: 10 degrees



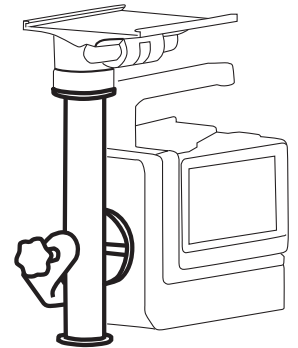
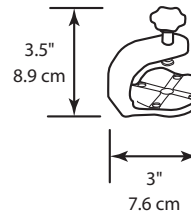
### Down Post

Weight: 2 lbs (0.91 kg)



### Pole Mount Clamp

Weight: 8 oz (0.23 kg)

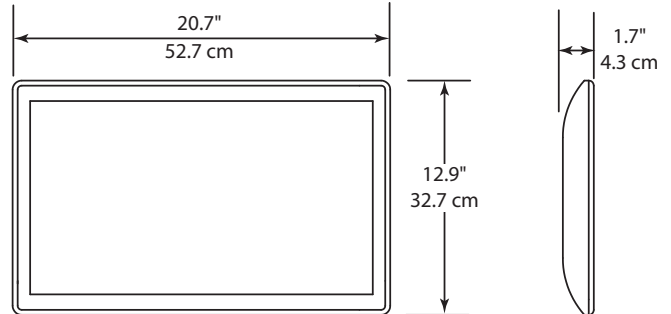


# BeneVision N1 MONITOR / MODULE

## Physical Specifications

### 22" Display

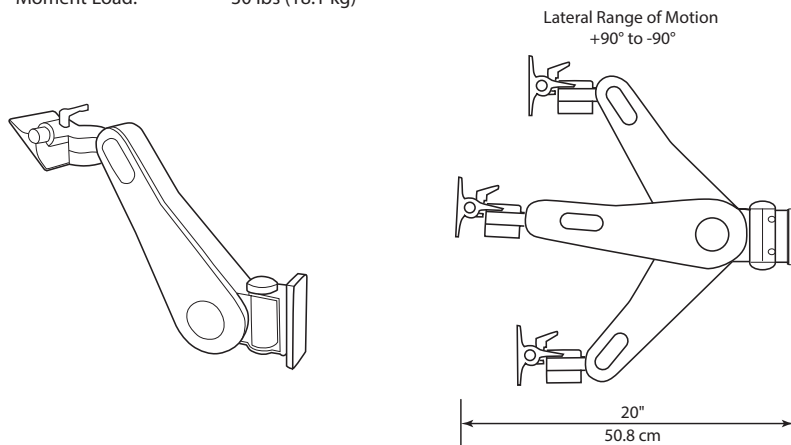
Style:	21.5" (diagonal) TFT active matrix LCD
Touch Technology:	TouchPro PCAP
Configuration:	Desktop or wall mount (VESA-100 mm)
Dimensions (H x W x D):	12.9" x 20.74" x 1.7" (32.7 x 52.7 x 4.3 cm)
Weight:	11.5 lb (5.2 kg)
Spacing from Rear:	6" (15.2 cm) min
Power Supply	
Display:	12 VDC, $\pm 5\%$
External Power Supply:	100-240 VAC, 50/60 Hz, 1.0 A Coaxial power jack (2.1 mm pin outer diameter, 6.4 mm barrel diameter)
Power Dissipation:	48 W max
Certifications:	UL, CUL, FCC, CE, VCCI, KCC, BSMI, CB, RCM, EAC, CoC



### Mounting Solutions

Variable Height Mount (VHM) for flat panel display

Moment Load: 30 lbs (18.1 kg)



**22" Display with N1  
Wall Mount Solution**

### Pivot Arm Wall Mount

Moment Load: 60 lbs (27.2 kg)

