

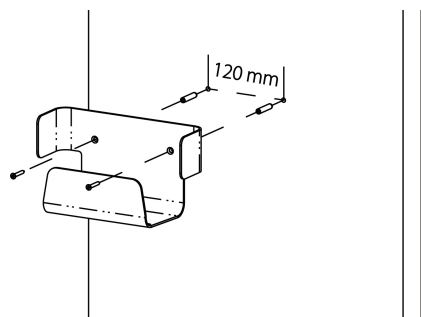
AED hook Instructions For Use

Installation

The AED hook has to be fixed on the wall. Before installation, make sure the supplied expansion plugs and screws are applicable for the wall. If not, select appropriate accessories.

Installing the hook

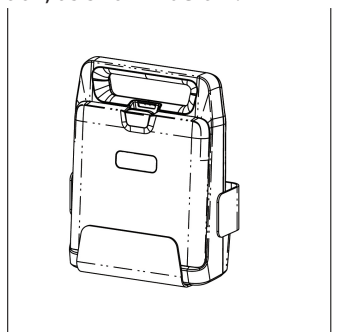
1. Drill two holes on the wall with a diameter of 8 mm and distance of 120 mm, as shown below:



2. Neil two expansion plugs into the two holes.
3. Align the two holes on the hook with the expansion plugs and then fix it with two screws.

Placing the AED

1. Placing the AED on the hook, as shown below:



Packing List

No.	Description	Quantity	Remarks
1	AED hook	1	/
2	Screw	2	/
3	Expansion plug	2	/
4	Instructions For Use	1	/

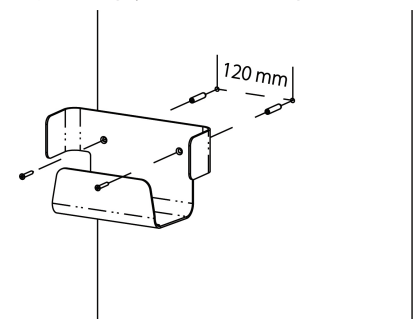
AED上墙挂钩使用说明书

安装

AED上墙挂钩需安装固定到墙上。在安装之前，请确认墙面材料可以使用随产品配送的膨胀胶塞和螺钉。如果不能，请自行选择适用的配件进行安装。

安装挂钩

1. 在墙面上钻两个直径8毫米，间距120毫米的孔。



2. 将膨胀胶塞分别钉入这两个孔中。
3. 将挂钩上的两个孔和膨胀胶塞对齐，并用两个螺钉将其固定到墙上。

安放AED

1. 将AED放在挂钩上，如下图所示：



零件清单

序号	中文名称	数量	备注
1	AED上墙挂钩	1	/
2	螺钉	2	/
3	膨胀胶塞	2	/
4	用户手册	1	/

mindray