

VS 9 VITAL SIGN MONITOR

Specifications

Interfacing

Connectors: Network port
2 USB ports
Multifunctional port

Battery

Type: Rechargeable lithium ion
Run Time: At least 8 hours when powered by a new, fully-charged battery at 25 °C ±5°C on standard configuration (SpO₂ and NIBP), with SpO₂ sensor connected, auto NIBP measurements at an interval of 15 minutes, and screen brightness set to factory default.

Recharge Time (power off, or standby): 4 hours to 100%

Physical Dimensions

Monitor Size (H x W x D): 10.8" x 7.3" x 5.3" max
27.5 cm x 18.5 cm x 13.5 cm max
Monitor Weight: 7.5 lb (3.4 kg) max

Environmental Conditions

Operating Temperature: 0 to 40 °C (without CO₂)
5 to 40 °C (with CO₂)
Operating Humidity: 15% to 95%, non-condensing
Barometric: 427.5 to 805.5 mmHg (57 to 107.4 kPa) (without CO₂)
430 to 790 mmHg (57.3 to 105.3 kPa) (with CO₂)

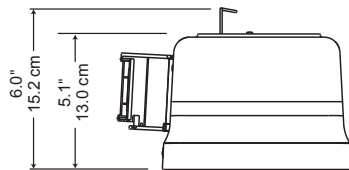
Power Requirements 100 to 240 VAC, 0.9 to 0.5 A, 50/60 Hz

Safety

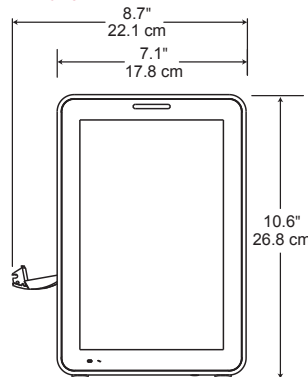
Type of Protection: Meets the requirements of IEC 60601 series



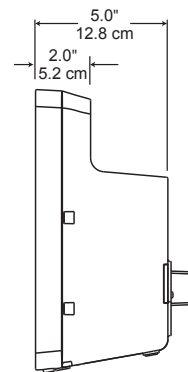
Top



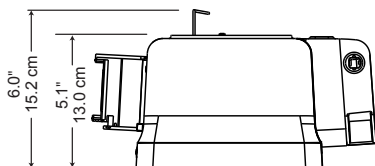
Front



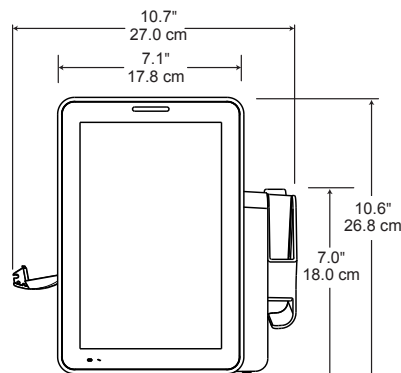
Side



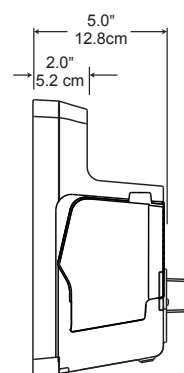
Top with Smart Temp



Front with Smart Temp



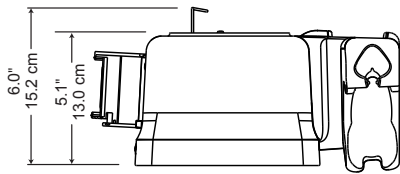
Side with Smart Temp



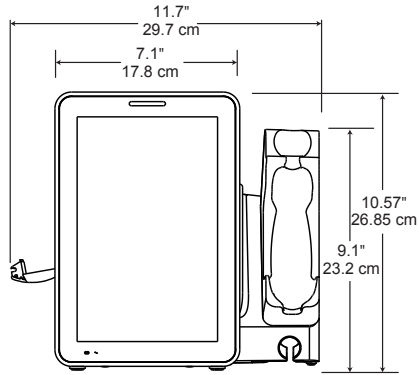
VS 9 VITAL SIGN MONITOR

Specifications

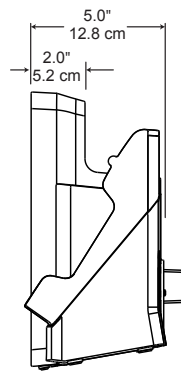
Top with Exergen Temperature



Front with Exergen Temperature



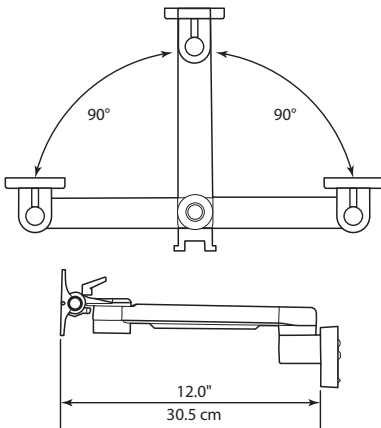
Side with Exergen Temperature



Mounting Solutions

Pivot Arm Wall Mount

Moment Load: 60 lbs (27.2 kg)
Lateral Range of Motion



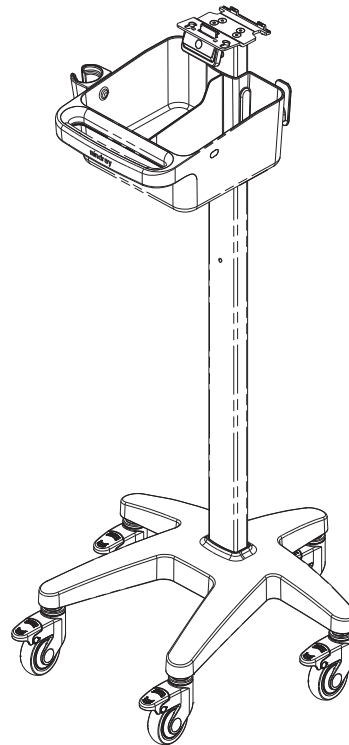
Rolling Stands

A

Dimension: 42.4 "(H) X 20.6"(W) X 19.7"(D)
107.6cm(H) X 52.4cm(W) X 51.6cm(D)

Moment Load: 26.5 lbs (12 kg)

Max Head Tilt: 10 degrees

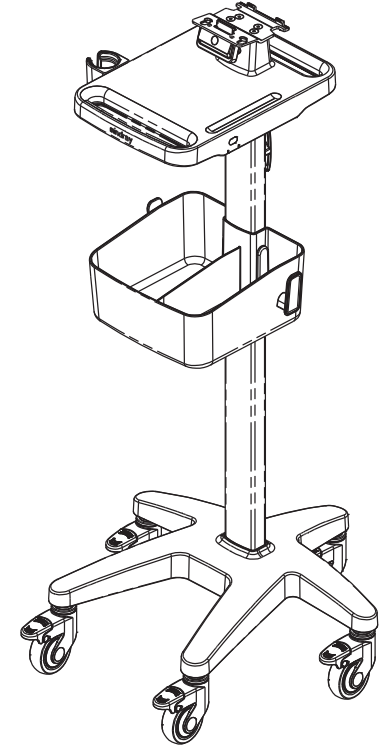


B

Dimension: 42.4 "(H) X 20.6"(W) X 19.7"(D)
107.6cm(H) X 52.4cm(W) X 50.6cm(D)

Moment Load: 22 lbs (10 kg)

Max Head Tilt: 10 degrees



Mindray DS USA, Inc.

800 MacArthur Blvd., Mahwah, NJ 07430

Tel: 800.288.2121 Tel: 201.995.8000 Fax: 800.926.4275 www.mindray.com

©2022 Mindray DS USA, Inc.

Mindray® is a registered trademark of Shenzhen Mindray Bio-Medical Electronics Co., Ltd.

03/22 P/N: 0002-08-7702 Rev A

mindray
NORTH AMERICA